

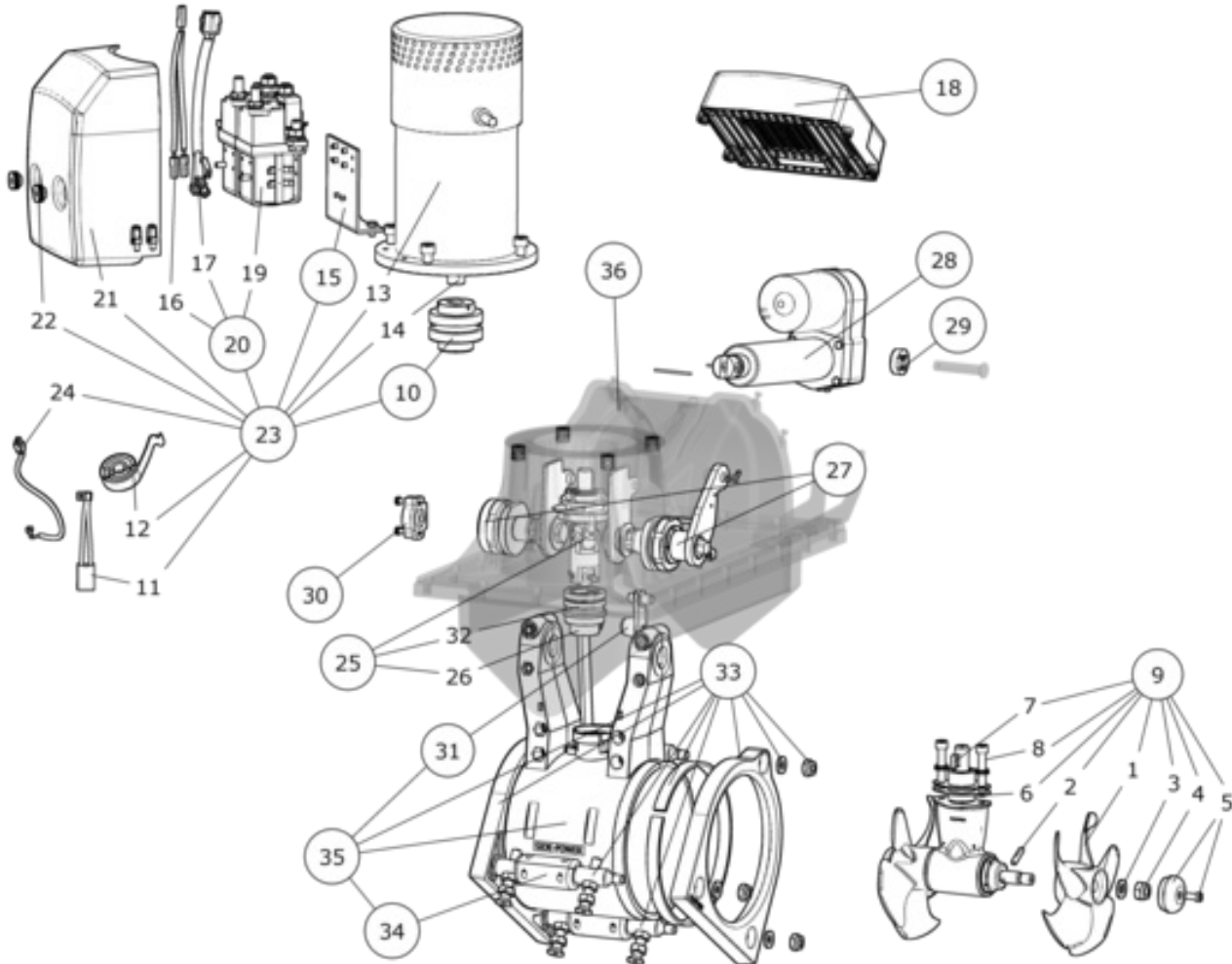
SRV100/185T-12V -



SIDE-POWER

SRV100 Vertical Retract, 12V

Spare parts (valid from 2017-11-22)



#	Description	Product
1	Propeller	7 1261 - Prop ø185/5bl Q-Prop Composite
2	Propeller drivepin	6 1241 - Drivepin for propeller 5mm
3	Propeller washer	7 1181 - Propeller washer
4	Locknut	4 1260 - Locknut
5	Anode	7 1190 A - Alu anode SE60/80/100
6	Gasket	8 0610 - Gasket betw. tun/brak. SP75/95
7	Driveshaft key	6 1440 - Key for flex coupl 7HP/SP75/95
8	Gearleg bolt	12830 - Bolt M8x30 A4
9	Complete gearleg	8 0601 - Gearleg compl SE80/100
10	Complete flexible coupling	7 1462 - Flexible coupling 16/20mm
11	Brushes for motor (kit)**	**
12	Brush springs for motor (kit)**	**
13	Electric motor	N/A
14	Key for electric motor shaft	10 1440 - Key for drive shaft SP95/125++
15	Solenoid bracket kit	9 0136 12
16	Internal wiring loom	6 1222 - Wiring loom
17	Internal wiring loom	6 1223 - Internkobling fartsstyring
18	Electronic control unit	150000 - Electronic Control Unit SRV
19	Solenoid	1013713 - Solenoid compl SE100/130 12
20	Complete solenoid kit	8 0133 12
21	Solenoid Cover	6 2025 - Solenoid cover, SE80T
22	Nut for solenoid cover	6 8810 - Nut for solenoid cover
23	Complete electric motor assembly	8 0107 12 - Electric motor compl SEP100 12
24	Temp sensor	31020 - *Temp sensor NTC, 5mm
25	Vertical drive shaft kit	6 2076 - SRV vertical shaft 185mm.
26	Lower vertical drive shaft kit	TBA
27	Horizontal shaft kit	6 2075 - SRV horizontal shaft 185mm.
28	Actuator	140000-P8 - Aktuator P8, 12v SRV
29	Shear washer	140117 - Grommet / Shear
30	Sensor	140144 - Position Sensor 5KOhm 3pin
31	Anode retract	6 1180 - Zinc anode for 4HP up to 1999
32	Shaft sealing	140029 - Mechanical sealing ø35mm
33	Retract ring support kit 185mm	6 2142 - Retract ring support kit 185mm
34	Retract tunnel anode w/bolts	140629 - Anode rod SRV

35	Complete Retract tunnel kit 185mm	tba
36	Complete Retract mechanism assembly	tba
37	Extension harness for 150000 control unit	6 2202-DC-3M - Extension harness for150000

The installer alone has responsibility for the installation of the spare parts. Side-Power only warranty the spare parts supplied only.

The information given in the document was correct at the time it was published. However, Sleipner Motor AS can not accept liability for any inaccuracies or omissions it may contain. Continuous product improvement may change the product specifications without notice. Therefore, Sleipner Motor AS can not accept liability for any possible differences between product and document.