

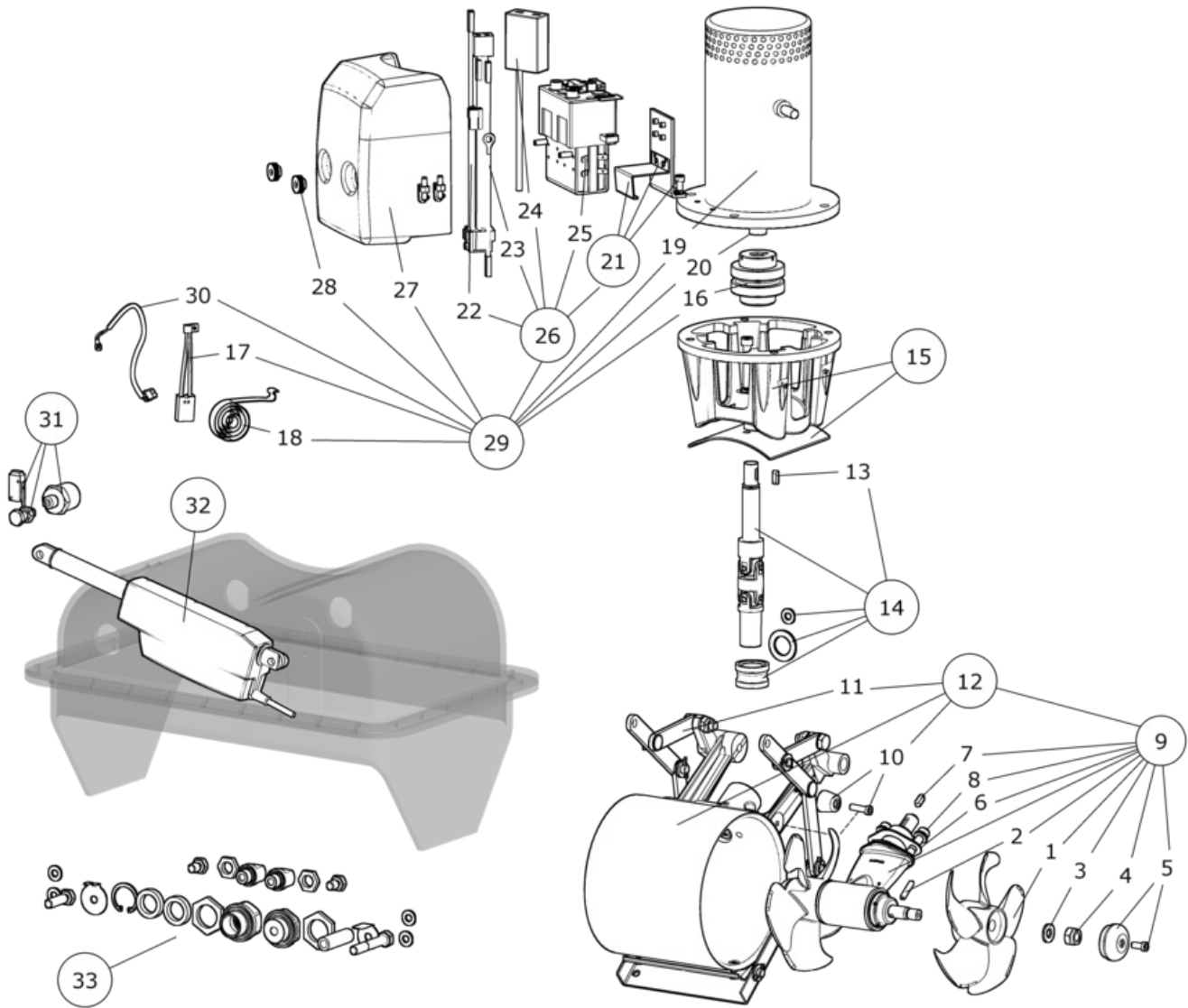
SR80/185T-24V

SR80 Retractable bow/stern thruster 24V

Spare parts (valid from 2017-06-30)



SLEIPNER



#	Name	Item Code	Description
1	Propeller	7 1261	Thruster propeller Twin ø185 / 5 bl
2	Propeller drivepin	6 1241	Drive pin for propeller 5mm
3	Propeller washer	7 1181	Propeller washer SE60/80/100
4	Locknut	4 1260	Lock nut
5	Anode	7 1190 A	Anode kit, aluminium for SE60/80/100
6	Gasket	7 1314	Gasket for gearleg installation in tunnel,SE80/100
7	Driveshaft key	6 1440	Key for flexible coupling 7HP/SP75/95
8	Gearleg bolt	7 1080	Bolt M8 x 55 Unbraco
9	Complete gearleg	8 0601	Complete gearleg SE80/100
10	Anode retract mechanism	6 1180	Anode kit, zinc for 4HP up to 1999
11	Support stay kit	6 2200	Support stay set Retract
12	Complete SR retract mechanism	6 2199	Retract Ø185 Tunnel Complete Set
13	Key for shaft	10 1440	Key for drive shaft SP95/125++
14	Complete shaft kit	SM-125229	Complete joint w/key and seal SR80/100
15	Motor bracket complete	125230	Motor bracket SR80/100
16	Complete flexible coupling	7 1462	Complete flexible coupling Ø16/Ø20mm
17	Brushes for motor (kit)**		**
18	Brush springs for motor (kit)**		**
19	Electric motor	6 1024 K	Elektromotor SE80 24V
20	Key for electric motor shaft	10 1440	Key for drive shaft SP95/125++
21	Solenoid bracket kit	6 0136	Solenoid bracket kit SR80
22	Internal wiring loom	6 1227	Internal wiring harness
23	Internal wiring loom	6 1223	Internal wiring harness
24	Electronic control unit	6 1242	Control box Retract
25	Solenoid	41371243	Solenoid replacement
26	Complete solenoid kit	6 0132 24	Solenoid, complete replacement with IPC & bracket
27	Solenoid Cover	6 2025	Solenoid cover for SE80T
28	Nut for solenoid cover	6 8810	Nut for solenoid cover
29	Complete electric motor assembly	6 0104 24	Complete electric motor for thruster SR80/24V
30	Temp switch*		*
31	Sensor kit	6 2104	End stop sensor kit 24v
32	Actuator kit	6 2301	Actuator retract, complete 24V
33	Complete sealing SR kit	125224	Bushing kit SR80/100

The installer alone has responsibility for the installation of the spare parts. Side-Power only warranty the spare parts supplied only.

The information given in the document was correct at the time it was published. However, Sleipner Motor AS can not accept liability for any inaccuracies or omissions it may contain. Continuous product improvement may change the product specifications without notice. Therefore, Sleipner Motor AS can not accept liability for any possible differences between product and document.